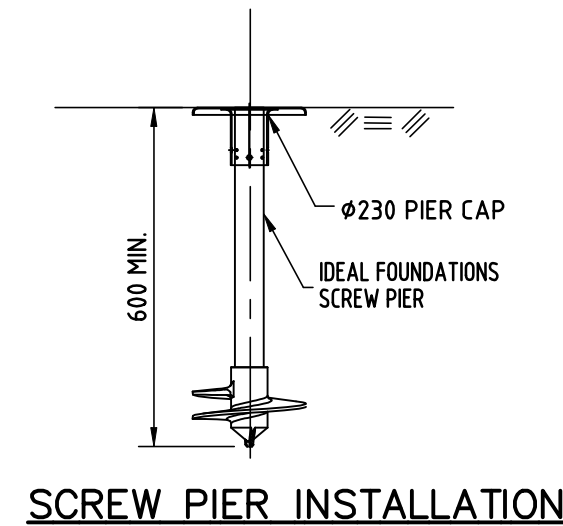


TYPICAL SCREW PIER CONNECTION DETAILS



SCREW PIER INSTALLATION

BEARING CAP NOTES

1. In Reactive Soil Sites (soil classified as H1, H2 or E under AS2870-2011) Pier Caps supplied by Ideal Foundations must be Permanently Affixed to their corresponding screw pile during installation.
2. Appropriate types of Permanent Affixing include fixing the Caps to their corresponding screw piles by means of welding, bolting, nailing, screwing or mechanical shear connections.
3. Permanent Affixing must be done in such a way that the affixing is permanent and not temporary and so that there is no design feature of the fixing means which would enable the Pile Caps to disengage from the top of the piles once they are under the slab or footings and enable a Pile Cap to be a "structural slip joint". The Permanent Affixing must continue up to and including the pouring of the slab or footings and continue thereafter.
4. Permanently Affixing does not include compression fits which rely on the dead weight of the slab or footing pressing down on Pile Caps to maintain the fixing between Pile Caps and the shafts of the piles to which they are to be fixed, or interference fits (eg friction fits, press fits or push fits) between Pile Caps and the shafts of piles to which they are to be fixed, or fixing the Pile Caps to screw piles by means such as electrical cable ties, gluing, or ties such as those used to close rubbish bin liner bags.

ISSUE:	DATE:	REVISIONS
		ISSUED FOR CONSTRUCTION
		DRAWN:
		DATE:
		SCALE: AS NOTED
		JOB No: SHEET No: —



P: (02) 9725 5522
 E: info@idealcorp.com.au
 W: idealfoundations.com.au

CLIENT: IDEAL FOUNDATIONS

PROJECT:

TITLE:
 TYPICAL SCREW
 PIER DETAIL
 CAP UNDER
 SLAB

COPYRIGHT: THIS DRAWING AND THE INFORMATION CONTAINED ON THIS PLAN REMAINS THE PROPERTY OF IDEALCORP PTY LTD AND MAY NOT BE ALTERED WITHOUT IDEALCORP PTY LTD WRITTEN CONSENT.